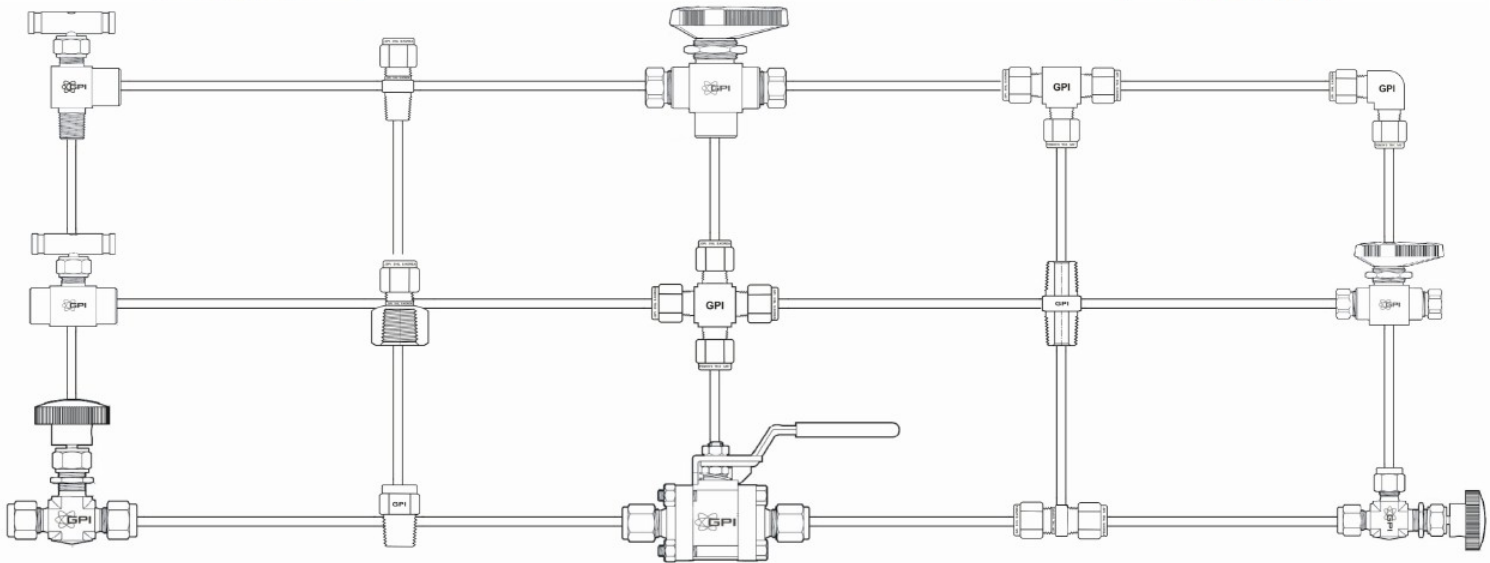




شرکت پترو ابزار دقیق مهرگان

نمایندگی انحصاری محصولات ابزار دقیق کمپانی GPI کره جنوبی



10, Maekdo-gil 376beon-gil, Gangseo-gu, Busan, **South Korea**

Tel. +82 51 294 2330

Fax. +82 51 294 2331

E-mail. gpi@gp-international.co.kr

Website. www.gp-international.co.kr



تهران : فلکه سوم تهرانپارس - ابتدای ۱۹۶ غربی - پلاک ۱۱ - واحد ۳

تلفن : ۰۲۱-۷۷۷۳۹۴۹۸ ۰۲۱-۸۸۷۳۳۸۵۵

فکس : ۰۲۱-۷۷۷۳۹۴۷۶ ۰۲۱-۸۸۷۳۳۸۹۳

همراه : ۰۹۱۲ ۴۲۰ ۴۵۲۳ (پژمان نریمانی)

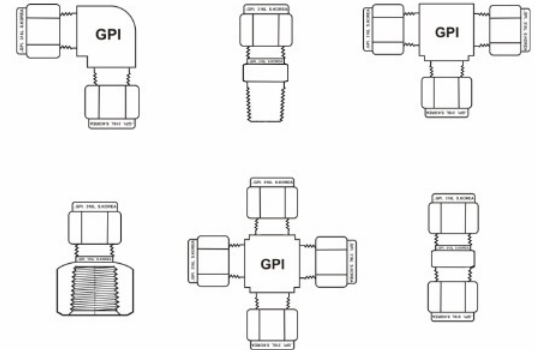
E-mail : MEHREGAN_INSTRUMENT@YAHOO.COM

G-mail : MEHREGANINSTRUMENT@GMAIL.COM



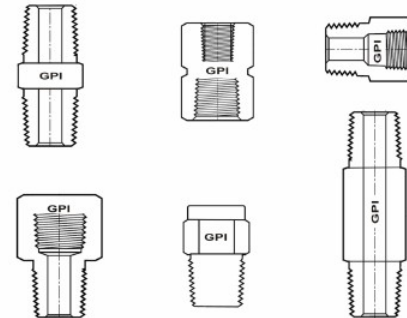
Instrument Tube Fittings

- Available in size: 1/16 - 2 inch And 2mm - 50mm
- Compression type double ferrule fittings
- Roll threaded construction
- Available variety of configurations
- Excellent vibration resistance
- Excellent leak-tight sealing
- Gaugeability and retighten
- SS316, brass, carbon steel, alloy 400 ...



Instrument Thread Fittings

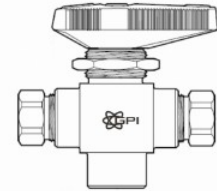
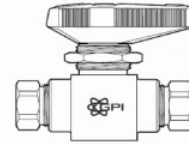
- Size range from 1/8 - 2 inch piping.
- Standard SS316 stainless steel and carbon steel
- NPT,ISO/BSP, and SAE threads
- According to ASME B31.1 & B31,3
- Rolled male threads
- Male threads are protected with cap
- Exellant threads constructed to ensure leak-free & reliable systems





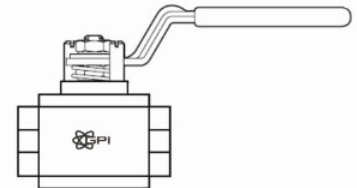
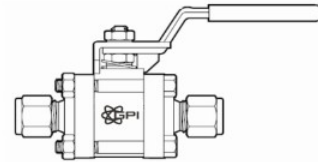
Ball Valve 3000 psi

- Pressure rating up to 3000 psi (206bar) @ 100°F(38 °C)
- Temperature rating : 50°F(10 °C) to 150°F(65 °C)
- SS316 , Brass
- Sealing without system pressure
- Sizes : 1/16 to 3/4 inch



Ball Valve 10.000 psi

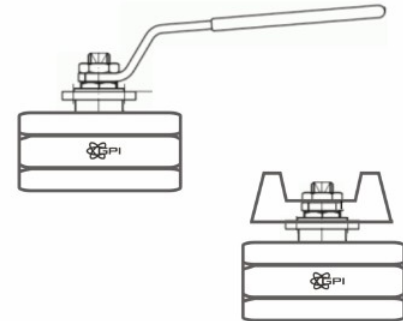
- Pressure rating up to 10.000psi (690bar) @ 100F (38 °C)
- Temperature rating :
-22°F(-30 °C) to 265°F(130 °C) with PVDF
Seat -65°F(-54 °C) to 500F (260 °C) with PEEK
- Seat
- SS316
- Panel mounting and locking device are available 2-way, 3-way
- Sizes : 1/4 to 1 inch





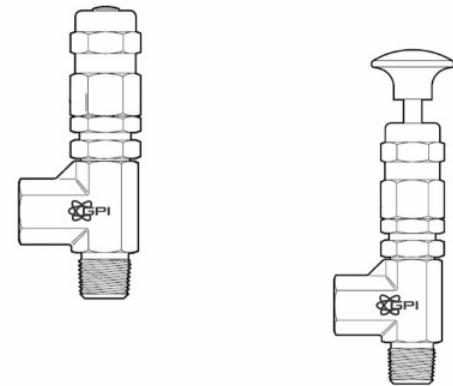
Ball Valve 1000 psi

- Pressure rating up to 1000psi (69bar) @ 100°F(38°C)
- Temperature rating : -65°F(-54°C) to 400°F(205°C)
- SS316, brass
- Butterfly handle optional
- Sizes : 1/4 to 1 inch pipe



Relief Valve

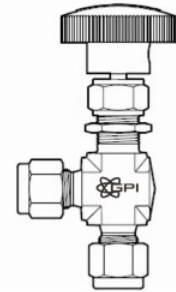
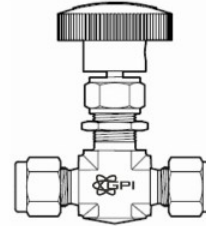
- Pressure rating up to 6000psi (413bar) @ 100F (38°C)
- Temperature rating : -10°F(-23°C) to 400°F(204°C)
- SS316
- Cracking pressure :
SRV30: 10psig(0.69barg) to 250psig (17.25barg) SRV60:
250psig(17.5barg) to 6000psig (413barg)
- Sizes : 1/4 to 1/2 in.





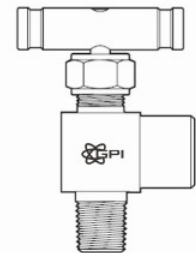
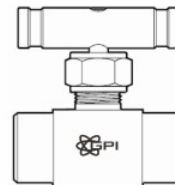
Integral Bonnet Needle Valve

- Pressure rating up to 3000psi (206bar) @ 100°F(38°C)
- Temperature rating : -65°F(-54°C) to 450°F(232°C)
- SS316, Brass, and Alloy
- In-Line or Angle pattern
- Vee stem, Regulating stem, Soft seat
- Sizes : 1/8 to 3/4 in.



Integral Bonnet Bar Stock Needle Valve

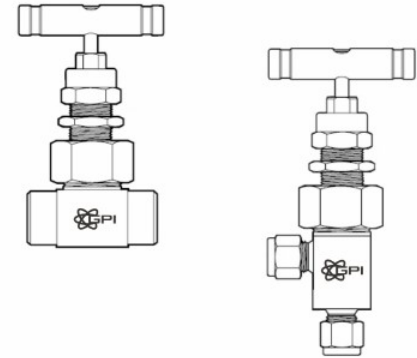
- Pressure rating up to
6000psi (413bar) @ 100F (38°C)
10.000psi (689bar) @ 100F (38°C)
- Temperature rating : -65°F(-54°C) to 450°F(232°C)
- SS316, Alloy
- 6000psi : Vee stem, Regulating stem, Soft seat
- 10.000psi : PTFE packing on stem
for leak tight seal and long life cycle
- Sizes : 1/4 to 3/4 inch





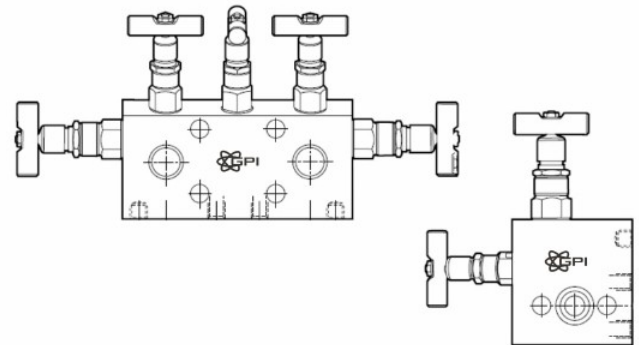
Union Bonnet Needle Valve

- Pressure rating up to 6000psi (413bar) @ 100°F (38°C)
- Temperature rating : up to 572°F (300°C) with PTFE packing up to 1200°F (649°C) with Grafoil packing
- Standard SS316. optional Alloy 20. and Alloy C276
- Non-rotating globe type stem tip
- Sizes : 1/8 to 1 inch



Manifold Valve

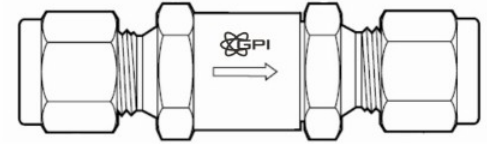
- Pressure rating up to 6000psi (413bar) @ 100°F (38°C)
- Temperature rating : -65°F (-54°C) to 973°F (523°C)
- With Grafoil packing
- SS316
- 2V, 3V and 5V as standard
- Remote or direct mounting
- Non-rotating globe stem tip





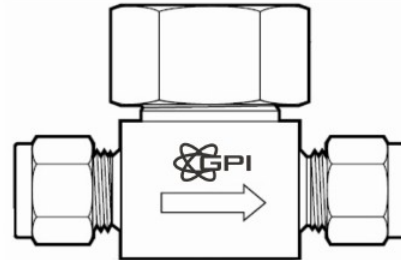
Check Valve

- Pressure rating up to 3000 & 6000 psi(206bar) @ 100°F(38°C)
- Temperature rating : -10°F(-23°C) to 375°F(191°C)
- SS316, Brass
- 3000 psi : Cracking pressure : 1/3psig(0.02barg) to 100psig(6.89barg)
- 6000 psi : Cracking pressure : 1/3psig(0.02bagr) to 25psig(1.7barg)
- Sizes : 1/8 to 1 inch



Lift Check Valve

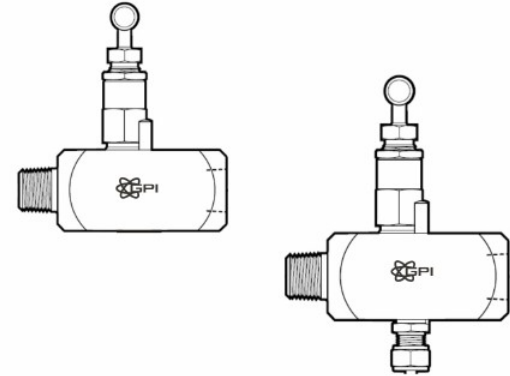
- Pressure rating up to 6000psi (413bar) @ 100°F (38°C)
- Temperature rating : -65°F (-53°C) to 100°F (37°C)
- SS316
- Sizes : 1/8 to 1 inch





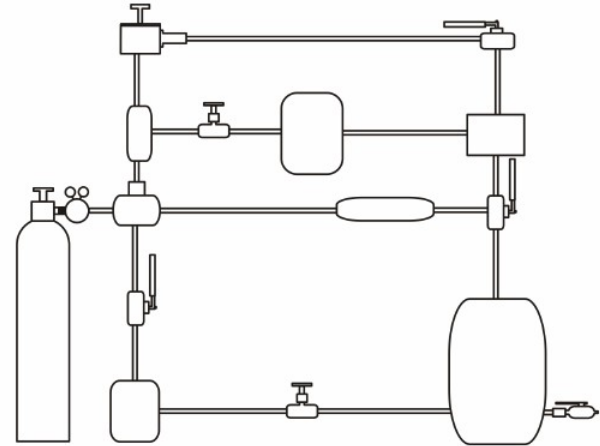
Gauge Root Valve

- Pressure rating up to 6000 psi (413bar) @ 100°F (38°C)
- Temperature rating : -65°F (-54°C) to 50°F (232°C)
- SS316
- Non-rotating globe stem tip
- Grafoil packing for high temperature available
- Standard gauge valve, longer body gauge root valve and extended 4 inch long body
- Multi-port designs and Block and Bleed style
- Sizes : 1/2 to 3/4 inch



Tube

- Material : 304/304L , 316/316L , Duplex
- Wall Thickness : 1mm to 1.65 mm
- Sizes : 1/16 inch to 1 inch And 6mm to 20mm
- Specification :
ASTM A269 , A249 JIS G3448 KS D3995





Certificates & Exclusive Agency



General Information

Factory :

Fittings: Daejeo1-dong, Gangseo-gu, Busan, **South Korea**
Tube: Jangbang-ri, Hallim-myeon, Gimhae-si, Gyeongnam, **South Korea**

Office :

10Maekdo-gil 376 beon-gil, Gangseo-gu, Busan, **South Korea**
Tel. +82 51 294 2330
Fax. +82 51 294 2331
E-mail. gpi@gp-international.co.kr
Website. www.gp-international.co.kr

